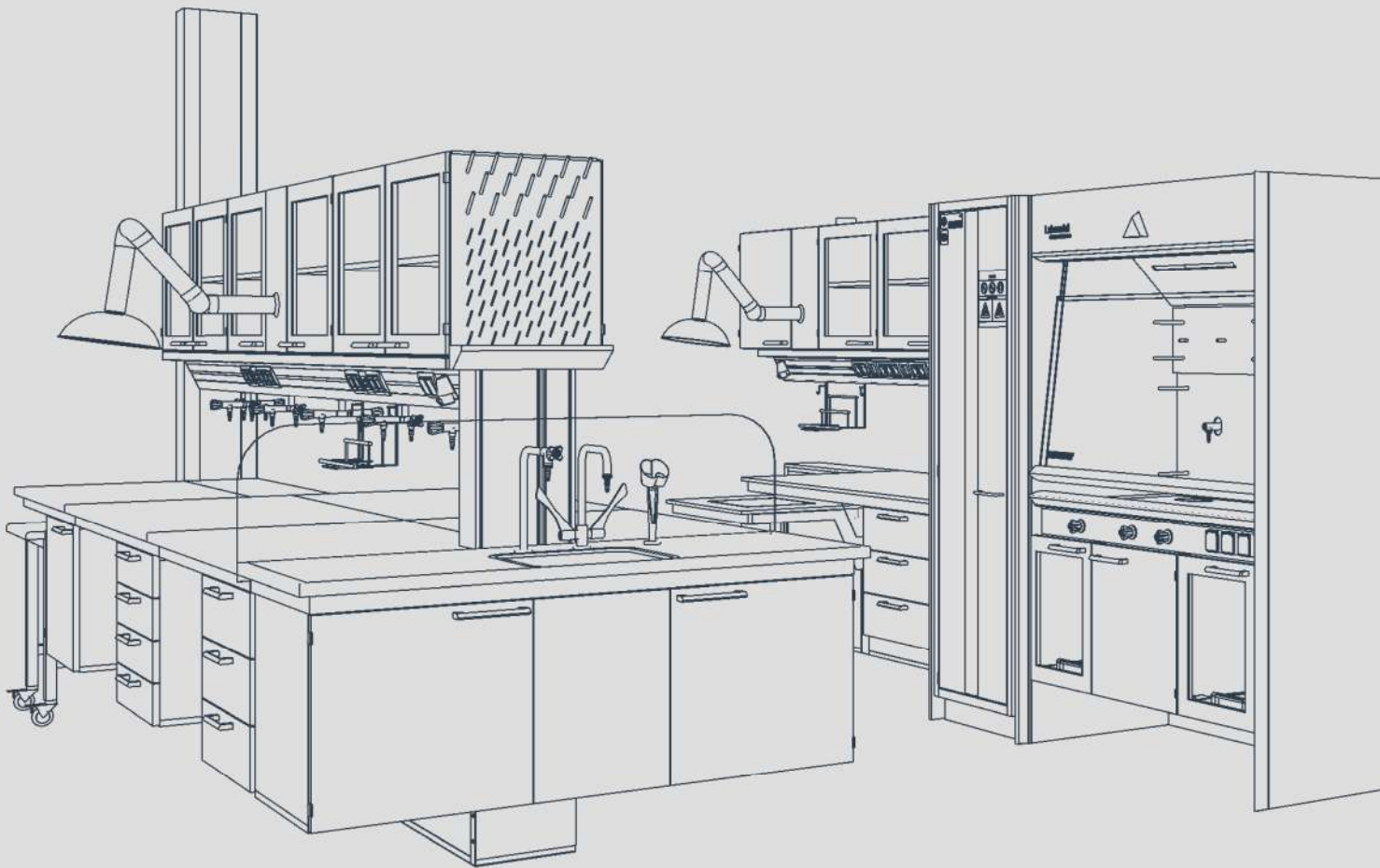


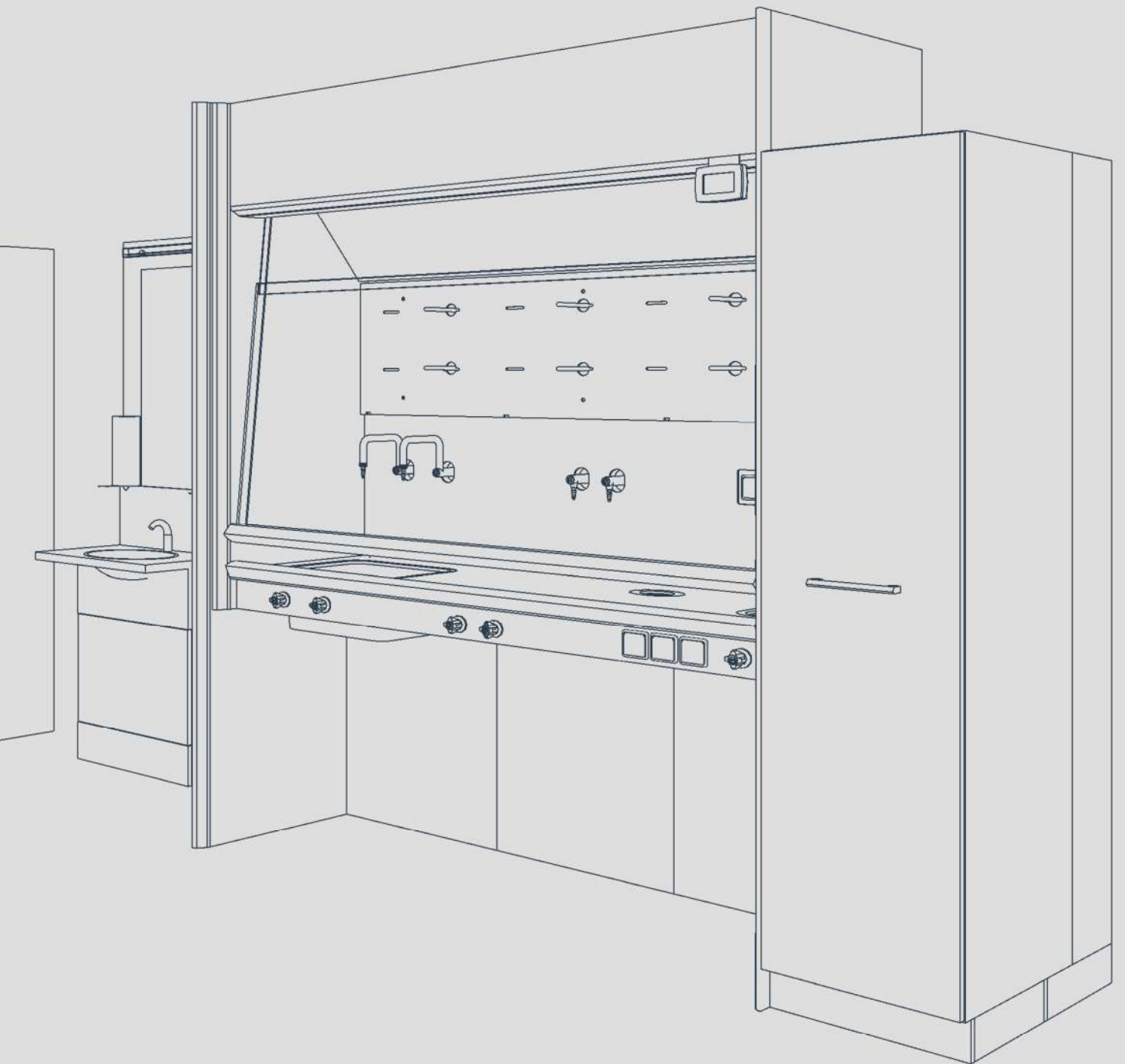
# labmodul

Designing safety



# Designing safety...









labmodul



SYSTEM STANDARD



# SYSTEM STANDARD

- Flexible and movable
- Future-proofed and suited for all purposes
- High quality for daily use
- Great load bearing
- Smart design
- Great carrying capacity for heavy equipment
- Easy to Clean



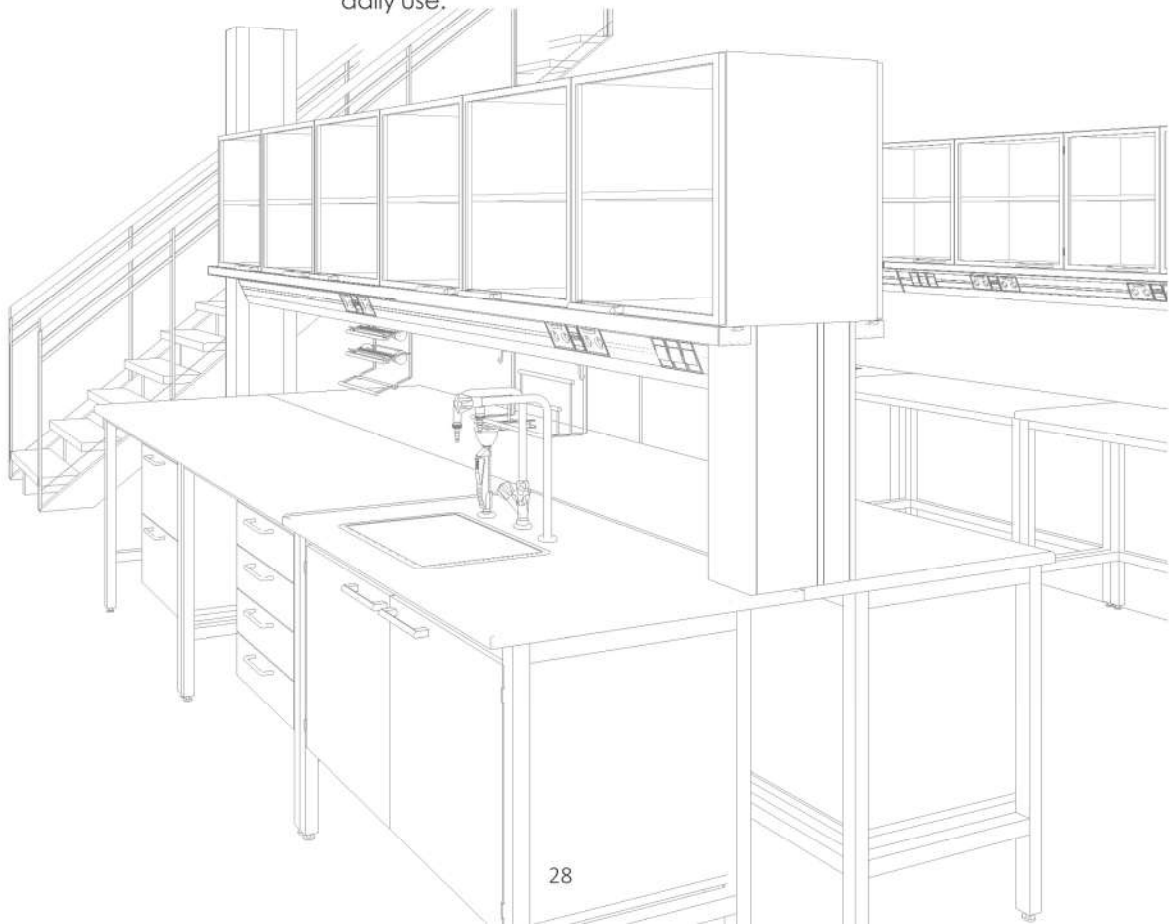
## System Standard

Standard is a movable furniture system with strong construction designed for easy combination. The system is compatible with our other system solutions.

All constructions are thoroughly tested and the furniture system is produced of resistant and robust materials to ensure a durable solution for many years of daily use.

Furthermore, the materials are carefully chosen with a focus on recycling and sustainability.

The Standard furniture system is exceedingly flexible because of the aluminum frame that makes it possible to shorten the modules to the desired width.







## Good ergonomics

The tables can be delivered with different types of electrical height adjustments.

We offer 2 different control panels for the height-adjustment systems:

- 🔥 up / down buttons
- 🔥 up/down buttons with memory function for up to 3 personalized settings



🔥 Actuator for normal loads (200 kg.)



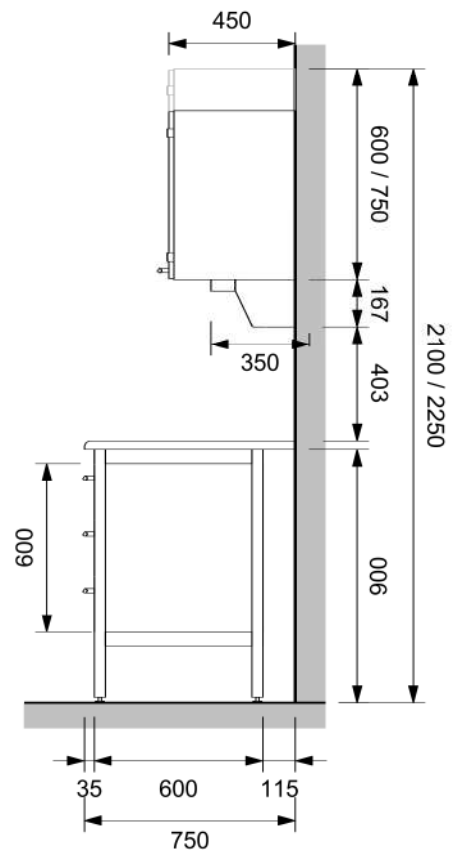
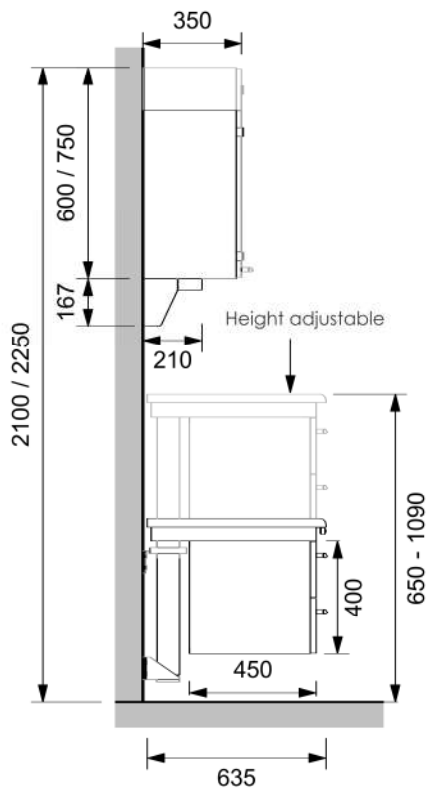
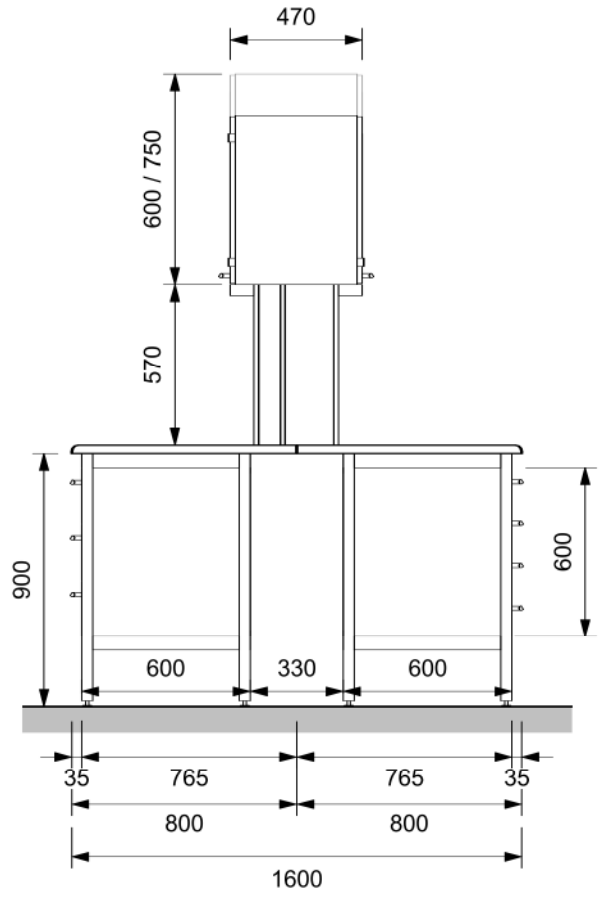
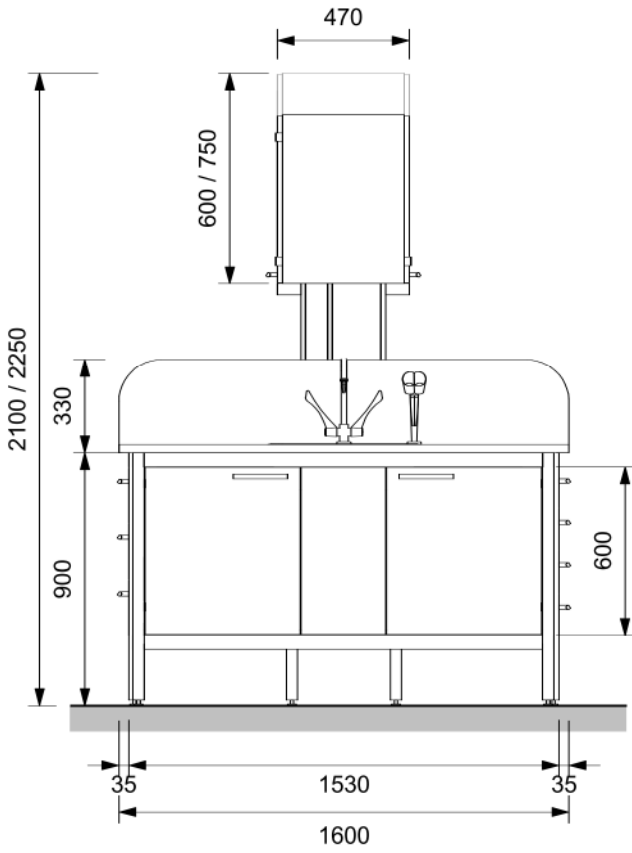
🔥 Hydraulic for heavy loads (300 kg.)



🔥 Mobile lift loads (150 kg.)

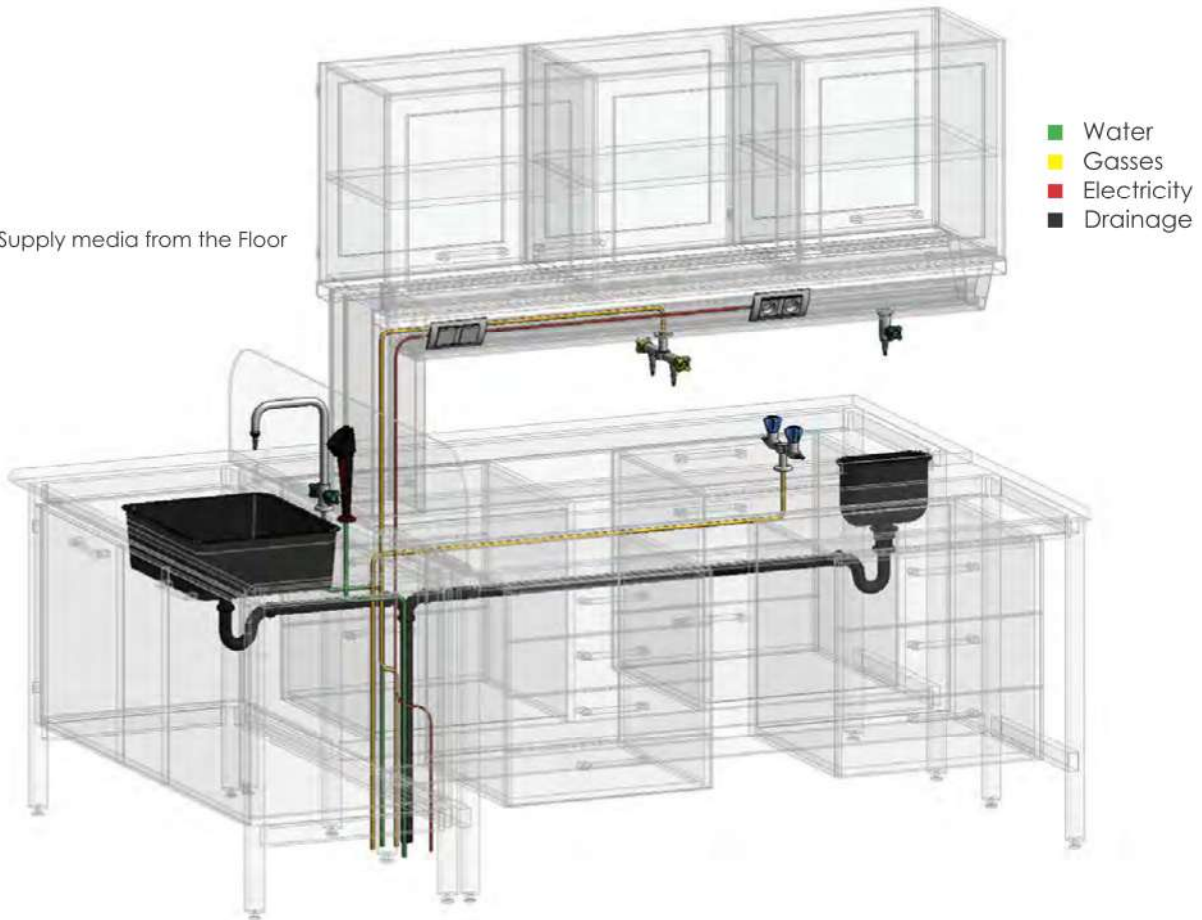


System Standard Technical Drawings



## System Standard - Installation

Supply media from the Floor



Supply media from the ceiling





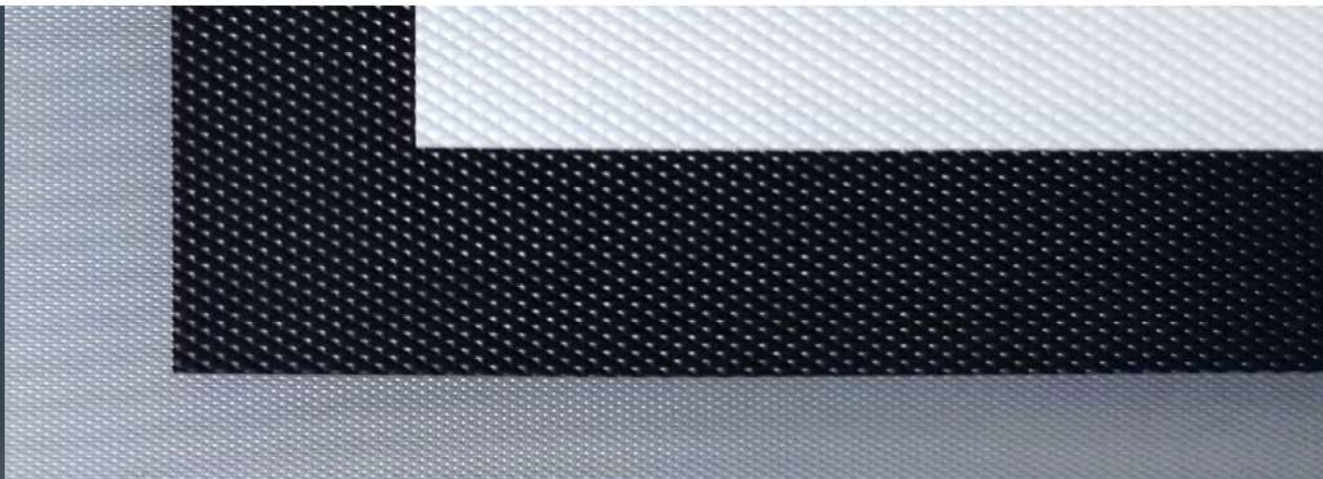
## A broad program

Performance and standard systems are delivered with a broad range of different worktops and front materials to choose from, along with different types of hinges and drawer handles to fit the desired cabinet function precisely.

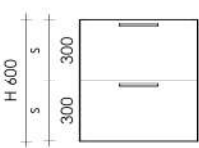
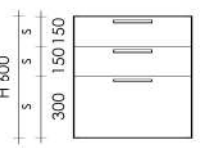
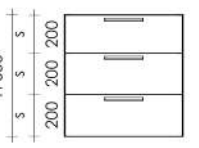
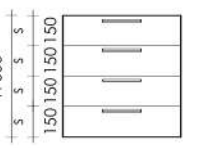
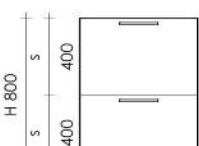
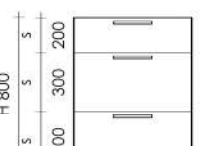
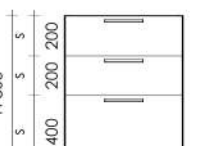
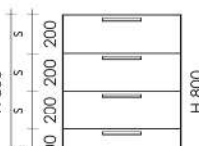
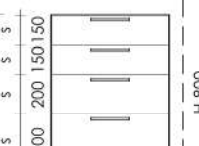

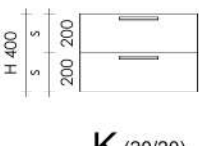
Drawers are delivered with 80 % soft close pull out as standard or with 110% soft-close + pull out.

The base cabinets are mounted hanging in runners and can easily be moved by pulling the cabinet sideways

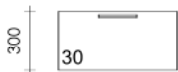
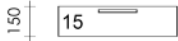
The flexibility of the system allows seating, workstations, and sub-worktable equipment to be established where needed.



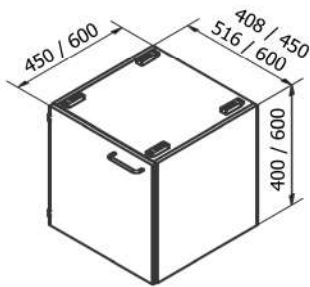
## Drawer combinations

	2 drawers	3 drawers	4 drawers	5 drawers
Suspended / Plinth / Mobile	 <p><b>A</b> (30/30)</p>	 <p><b>B</b> (30/15/15)</p>  <p><b>C</b> (20/20/20)</p>	 <p><b>D</b> (15/15/15/15)</p>	
On Plinth	 <p><b>E</b> (40/40)</p>	 <p><b>F</b> (30/30/20)</p>  <p><b>G</b> (40/20/20)</p>	 <p><b>H</b> (20/20/20/20)</p>  <p><b>I</b> (30/20/15/15)</p>	 <p><b>J</b> (20/15/15/15/15)</p>
Suspended / Mobile	 <p><b>K</b> (20/20)</p>			

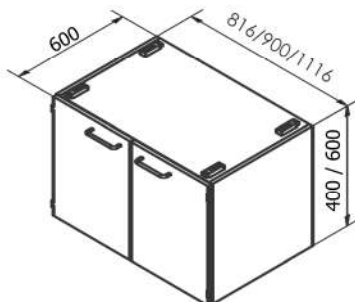
### Drawer front sizes



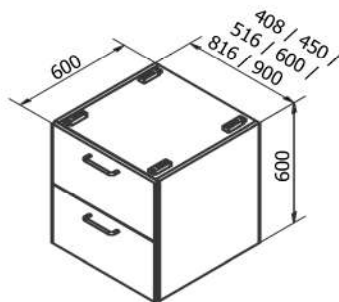
## Underbench cabinet suspended



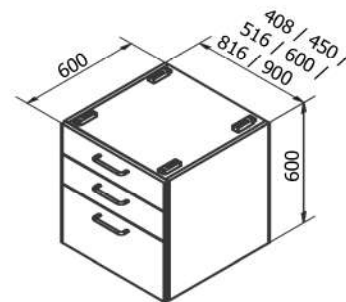
Cabinet with 1 door



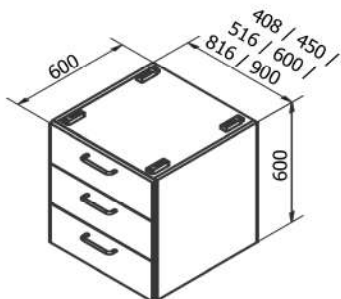
Cabinet with 2 door



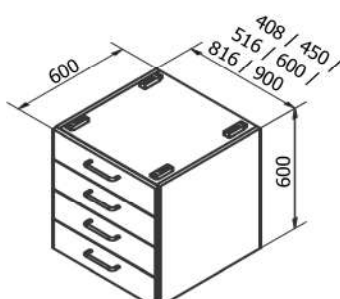
Cabinet with 2 drawers - kom. A



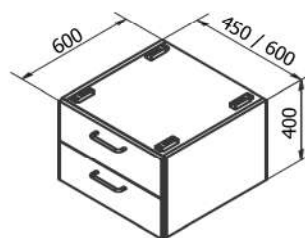
Cabinet with 2+1 drawers - kom. B



Cabinet with 3 drawers - kom. C

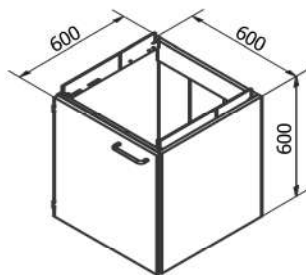


Cabinet with 4 drawers - kom. D

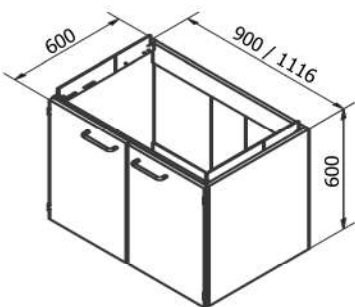


Cabinet with 2 drawers - kom. K

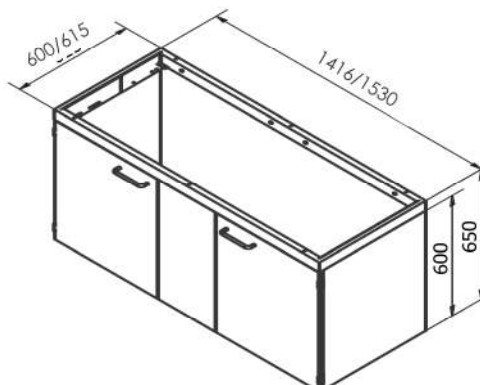
## Sink cabinet suspended



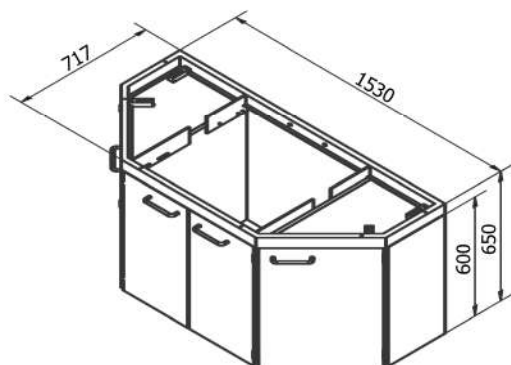
Sink cabinet with 1 door



Sink cabinet with 2 door



Sink cabinet, 2 doors with middle piece



Sink cabinet, 4 doors with 6 edges











**labmodul**  
Designing safety

Version: ★ ★ ★

**LABMODUL A/S**

Valhøjs alle 190  
DK-2610 Rødovre  
info@labmodul.dk