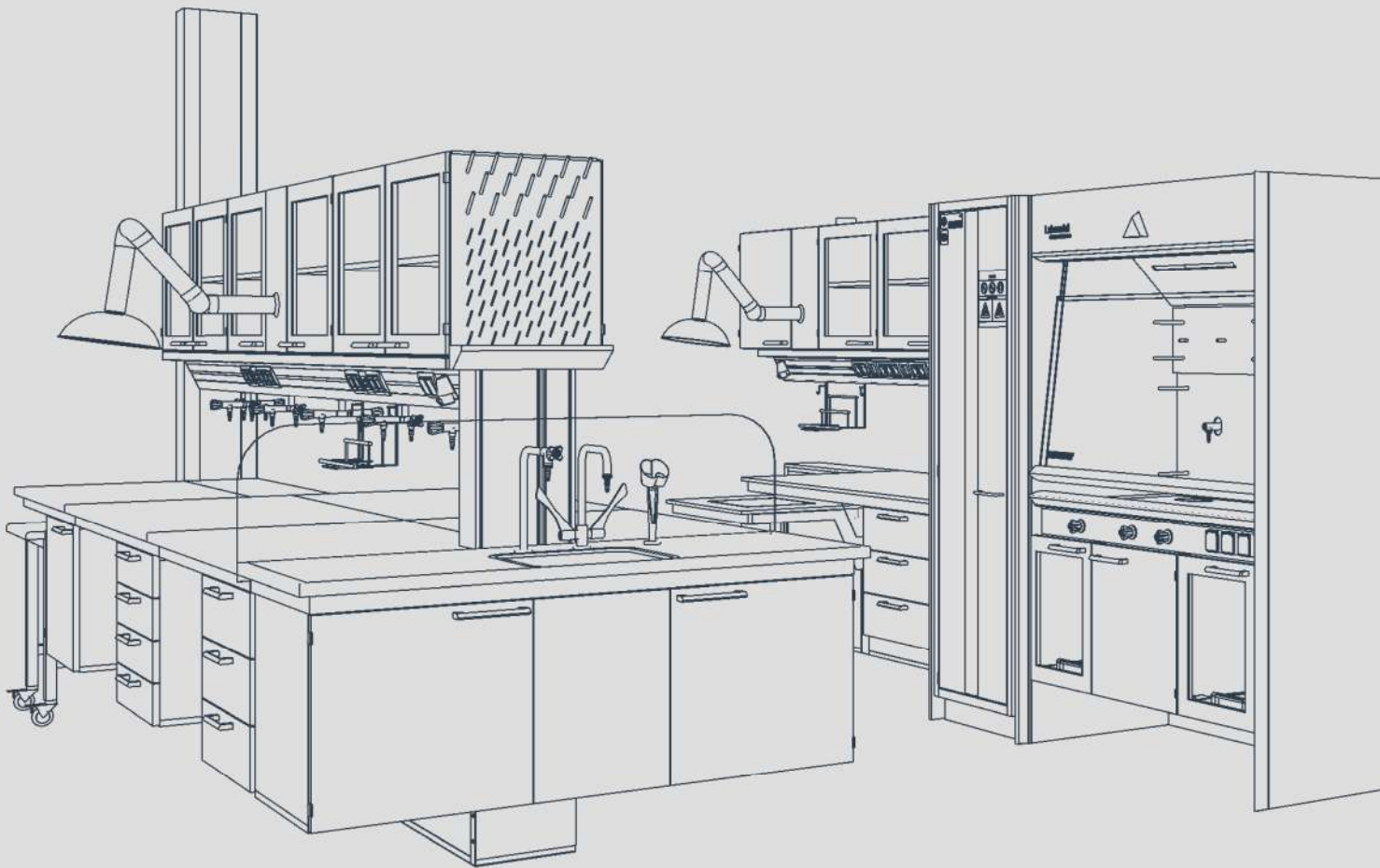


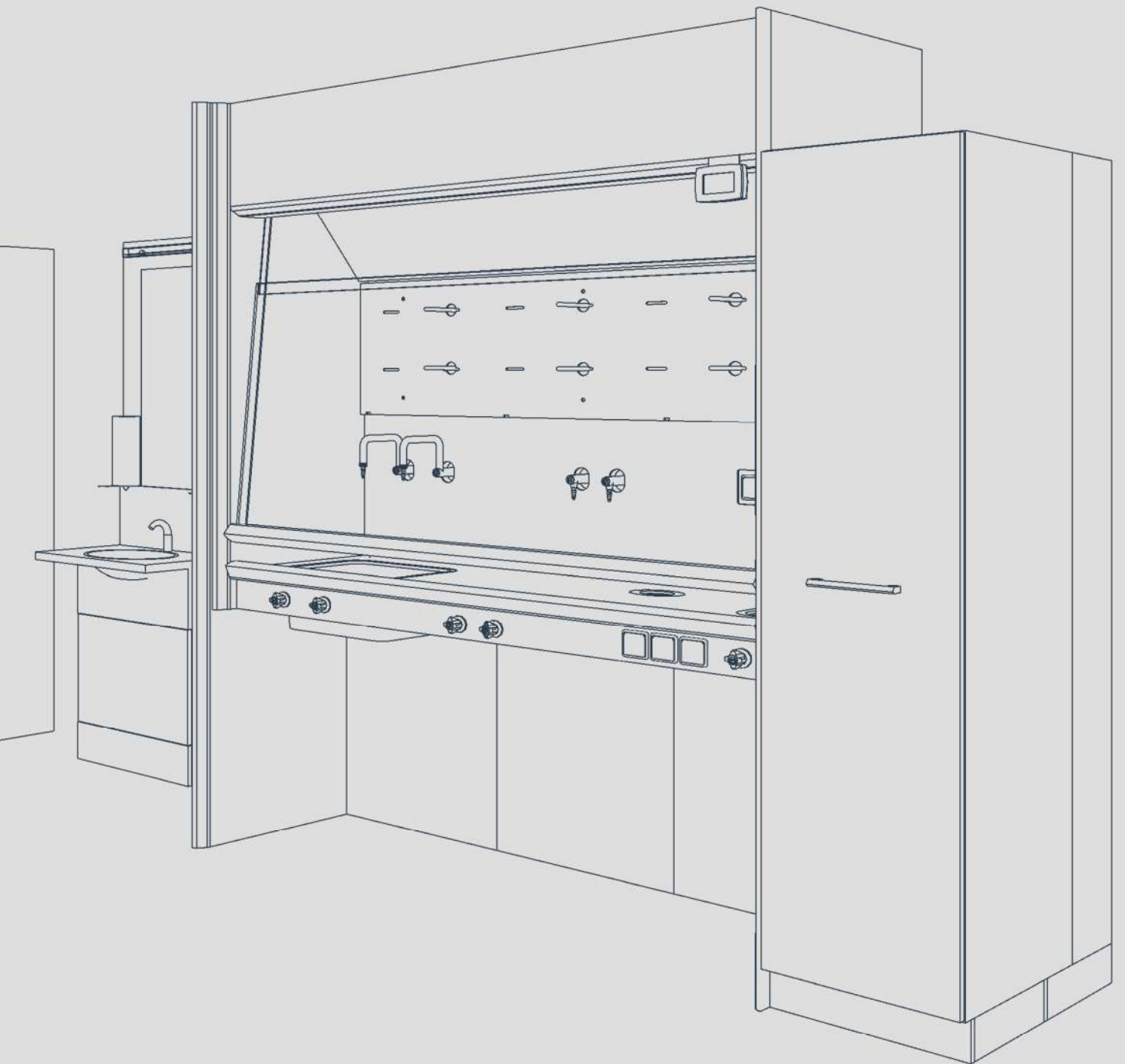
labmodul

Designing safety



Designing safety...









labmodul



SYSTEM KITE



SYSTEM KITE

┌ Plug & Play

┌ Flexibility & Mobility

┌ Ready for change

┌ What you need, when you need, where you need



System KITE

Total flexibility

KITE system solution is a functional, flexible and open space solution.

Kite creates the basic technical framework for multipurpose functional spaces, where settings and features can be quickly and efficiently established within a short time.

Multipurpose space modifications are suitable for both laboratory facilities and many other types of room facilities.

KITE system solution provides a particularly cleaning-friendly laboratory that also meets all regulatory requirements for cleanrooms and GMO classifications.

The concept is built of ceiling-mounted installation modules in a modern design. The modules contain installations such as ventilation, electricity, water, and gases, so all workstations can be moved around the room and connected everywhere.

The ceiling modules have built-in LED light fixtures and can be easily expanded with additional installations, that can easily be added.



WHAT YOU NEED, WHEN YOU NEED

Mobility

The KITE system is offered with a wide range of sockets for EL and networks as well as plumbing and gas. KITE XL also allows for a flexible solution of process vacuum for point exhaust arms and mobile ventilated units.

The possibilities for establishing workstations under the KITE media module can be done as needed and with either sitting, standing workplaces, or other equipment installations.

The Kite and KITE XL multipurpose space system solution is designed as a ceiling-mounted media solution that provides the ultimate flexibility for fixed and mobile devices in the workspace. The flexibility includes, among other things, loose removable tables, mobile benches and carts, exhaust cabinets, and mobile fume cupboards... WHAT YOU NEED, WHEN YOU NEED, AND WHERE YOU NEED IT.



Mobile storage cabinet for point exhaust arms

When the point exhaust arms are not used, they are stored in a mobile storage cabinet. The cabinet protects the point exhaust arms from impurities and at the same time, there will be more workplace at the table for other purposes.



The mobile storage cabinet can accommodate 10 point exhaust arms. B120 cm, H136 cm







KITE Service Bridges

The service bridge is offered with integrated LED low-energy work light from 500 to 1000 lux and with optional color light in 3000 and 4000 Kelvin.

The furniture system is designed so that the service bridge can be mounted either with a strong suspension structure or as a wall-mounted model.



Installations

KITE system is available in 2 editions;

KITE

With lighting fixture ready for:

- 🔥 VVS
- 🔥 Gas
- 🔥 EL
- 🔥 Network outlets
- 🔥 Installations for supplies

KITE XL

With lighting fixture ready for:

- 🔥 VVS
- 🔥 Gas
- 🔥 EL
- 🔥 Network outlets
- 🔥 Installations for supplies
- 🔥 Ventilation



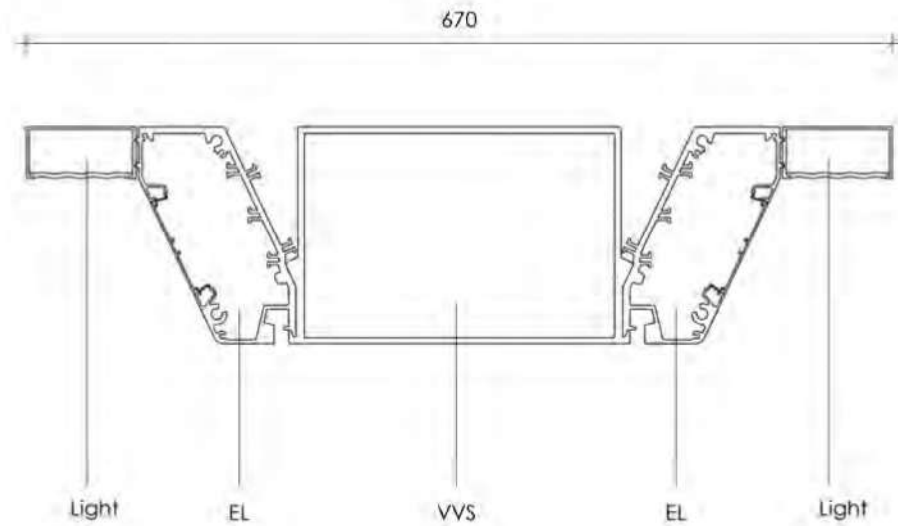
The multipurpose space solutions ensure optimal use of the room and workplaces for quick conversion to accommodate new features and needs.

KITE is future-proofed for easy access to installations and prepared for additional emerging needs for outlets for EL, plumbing, and gas extraction. An Outlet for point exhaust arms and other outlets can be established as PLUG & PLAY Quick-Connect connections ready for use when the need arises.



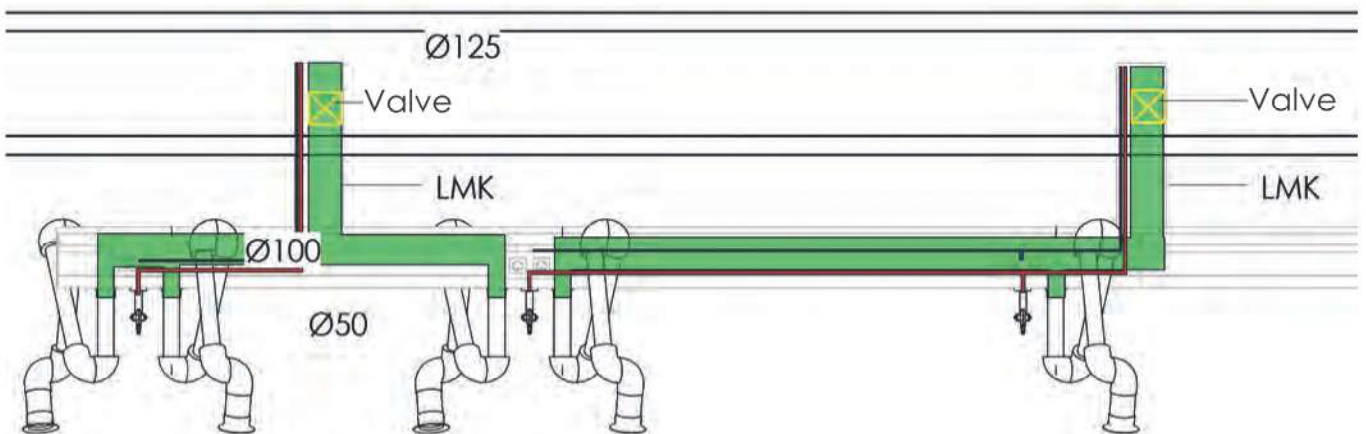


Sectional drawing

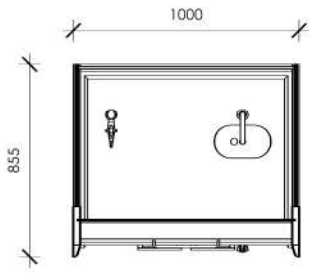


Installation principle

- Ventilation
- EL
- Water and gases

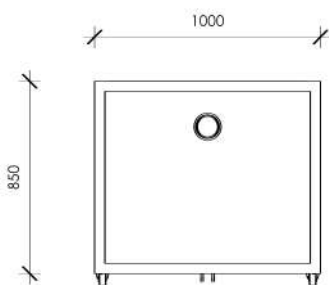
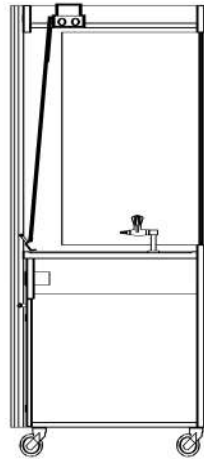
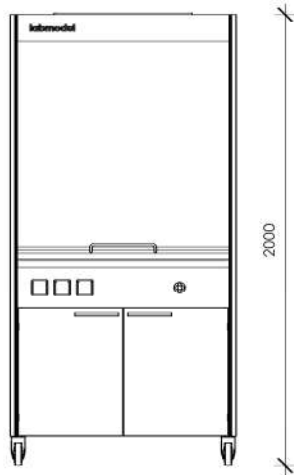






Greenline Mobile

Mobile fume cupboard with safety glass on 4 sides. 2000mm high and with slanted sash window. underbench for storage and possibility of placement of flexible connections for connection of EL and plumbing to the house's installations.



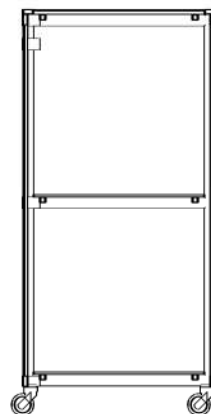
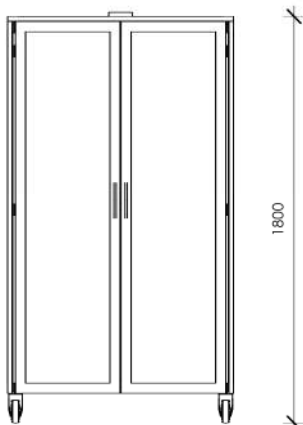
Instrument cabinet

Used for many types of equipment in operation. Delivered prepared for ventilation. Equipment that emits heat or noise can be advantageously placed in these.

Instrument cabinet is offered in 2 standard sizes:

- 🔥 WxDxH 750 x 800 x 2000 mm
- 🔥 WxDxH 1000 x 800 x 2000 mm

Offered with two or three fixed shelves.



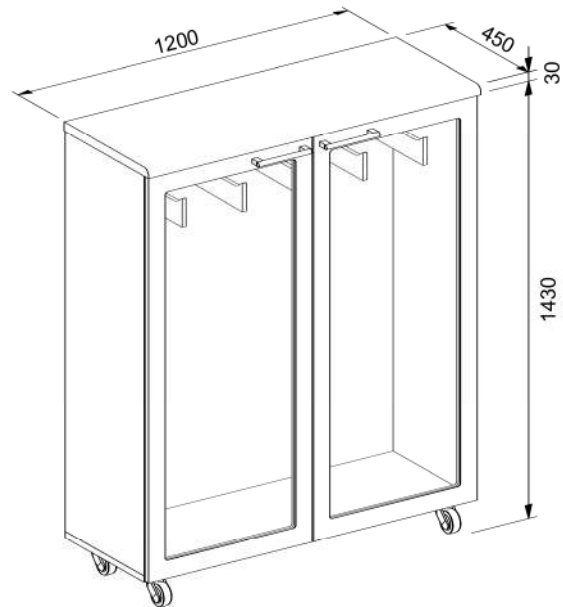


labmodul



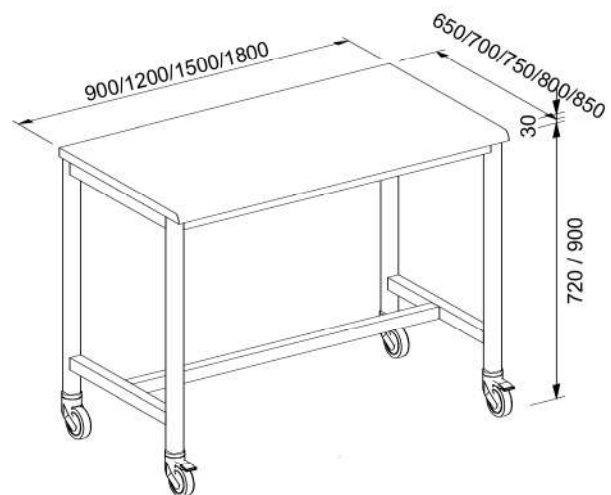
Mobile storage cabinet

Can store 10 point exhaust arms. Ideal for educational facilities where many suction units are needed.



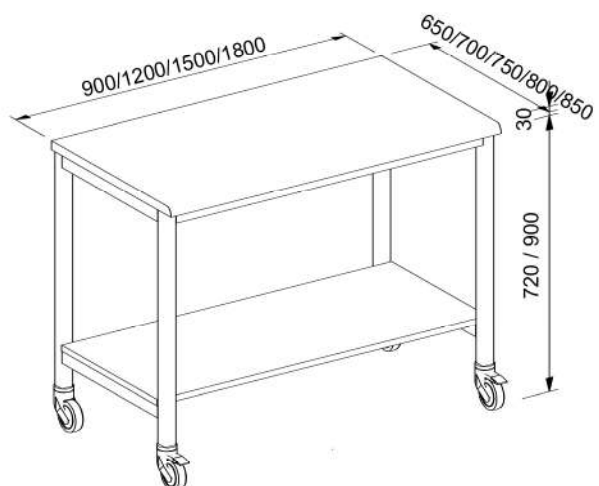
Mobile work desk

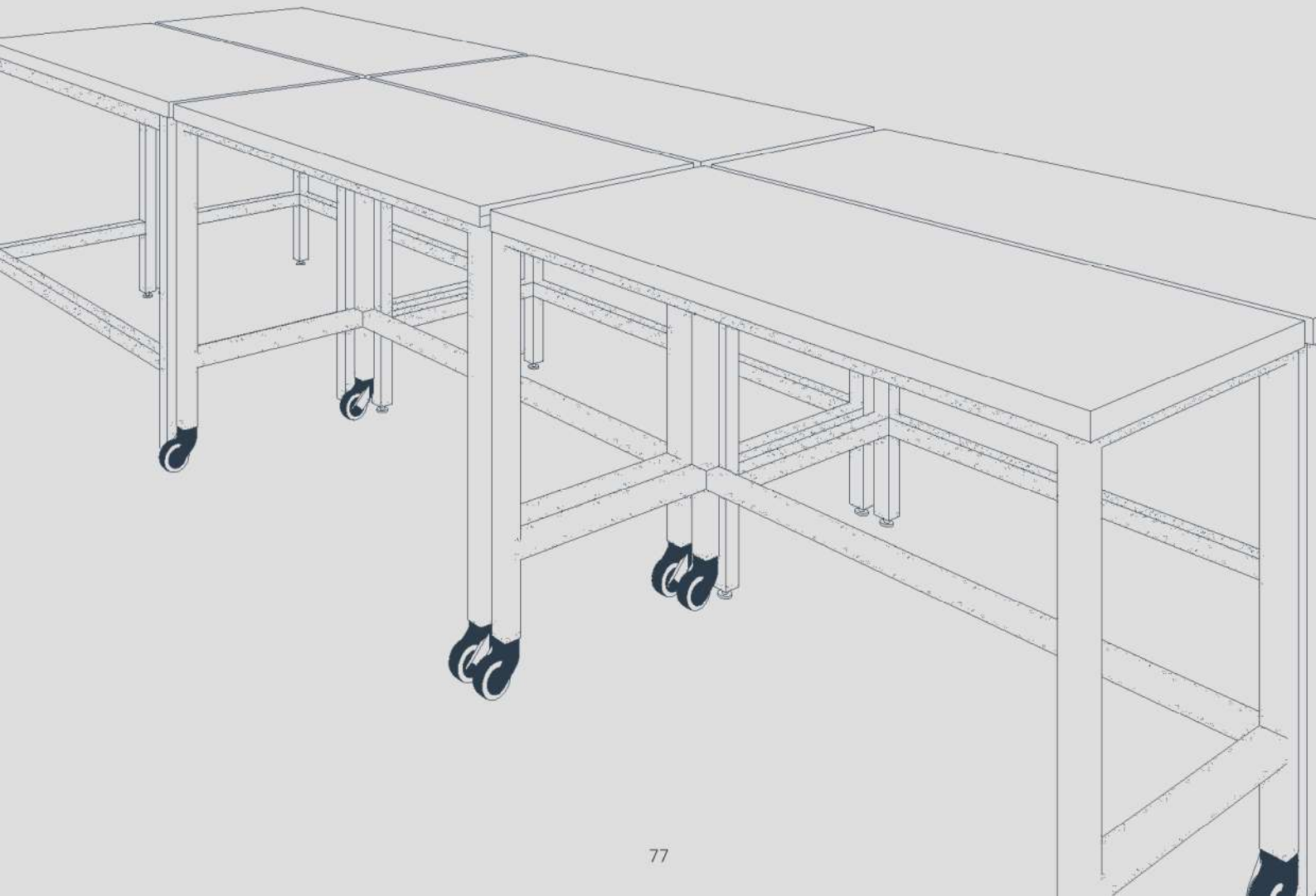
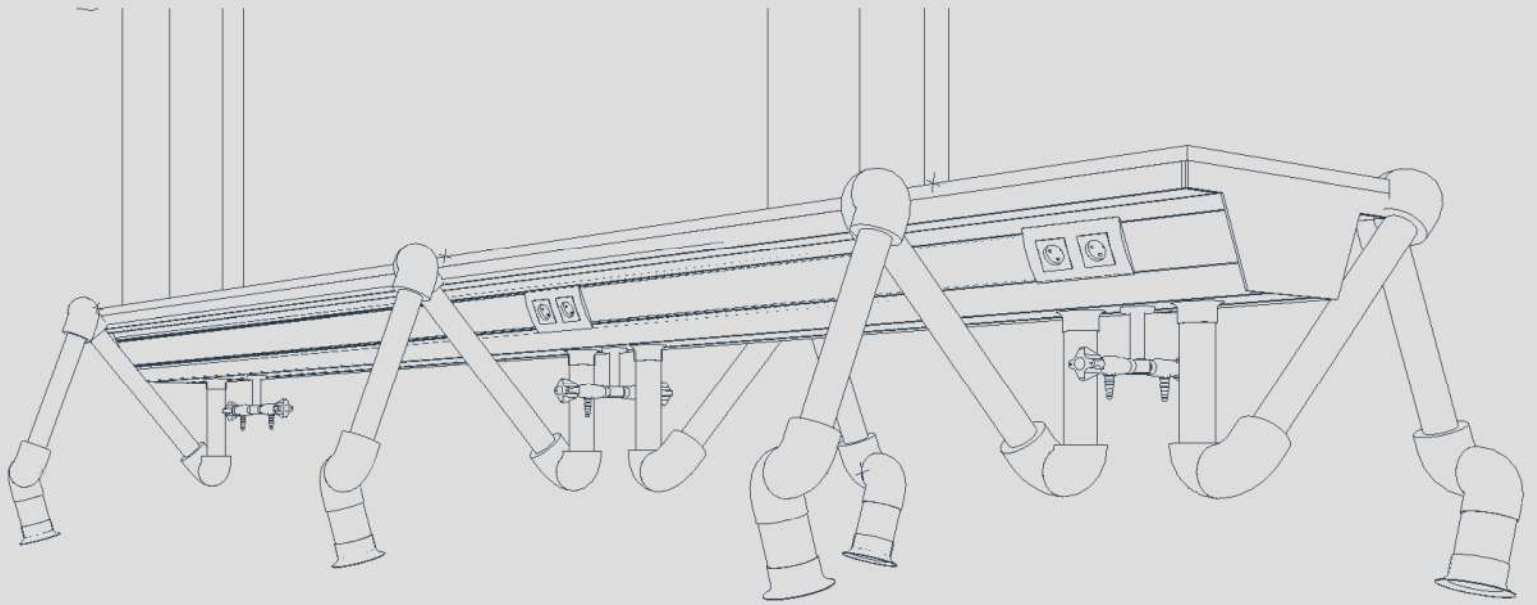
Available in many sizes and can be supplied with under benches cabinet. The table frame series is offered in heights 720 cm and 900mm.



Mobile work desk with under shelf

Available in many sizes and can be supplied with under benches cabinet. The table frame series is offered in heights 720 cm and 900mm.











labmodul
Designing safety

Version: ★ ★ ★

LABMODUL A/S

Valhøjs alle 190
DK-2610 Rødovre
info@labmodul.dk