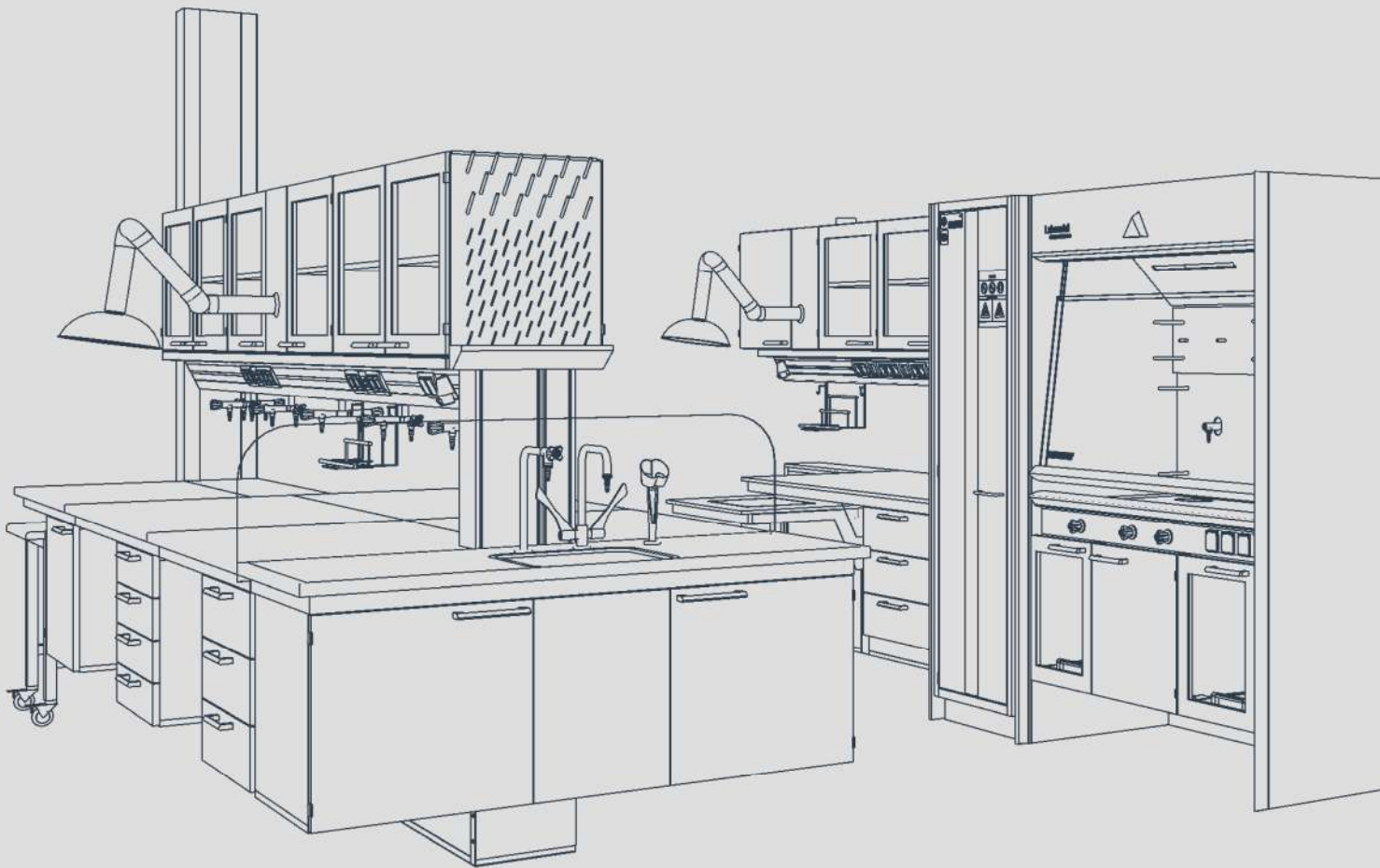


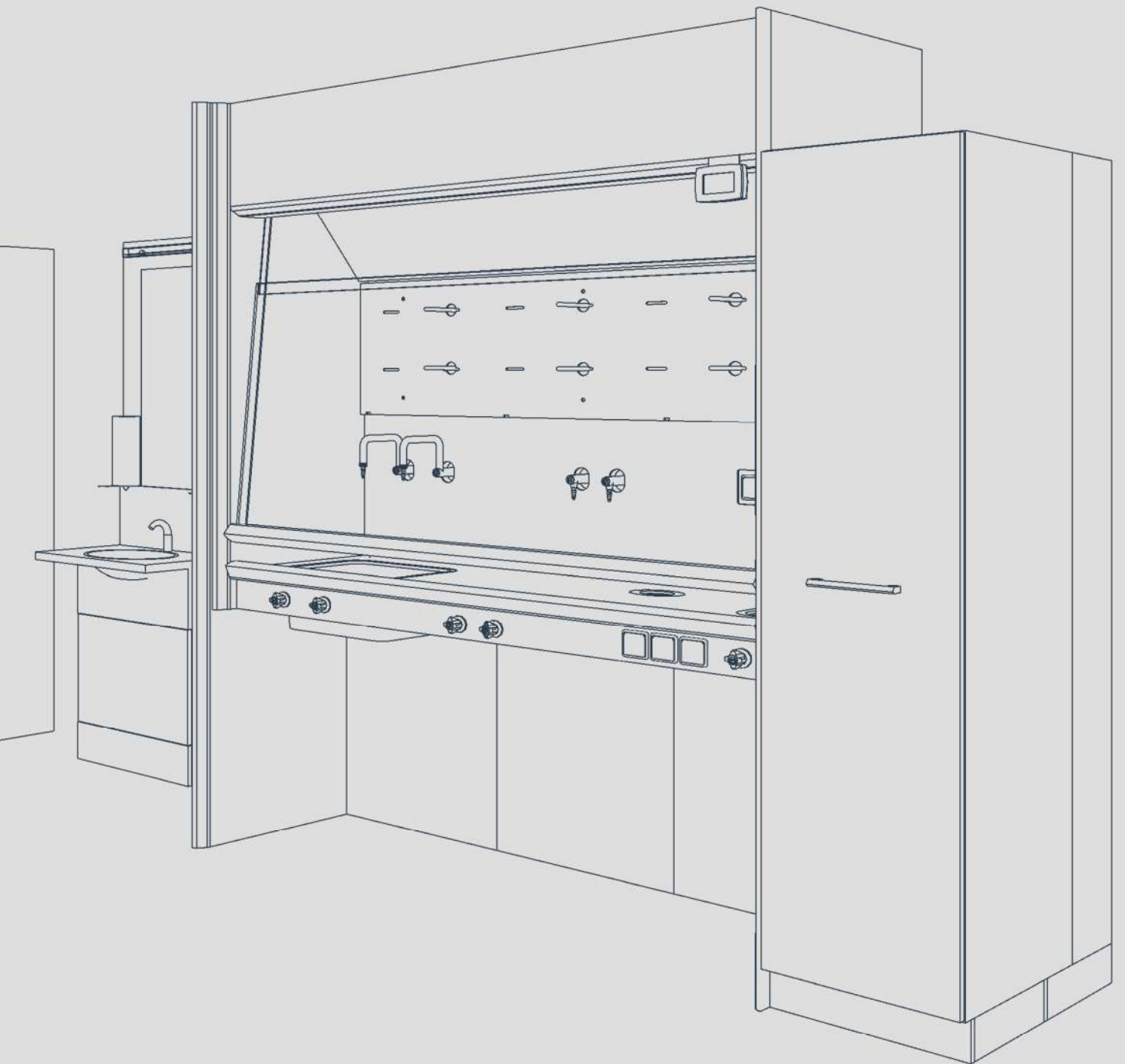
# labmodul

Designing safety



# Designing safety...











labmodul



# SERVICE BRIDGE



## Service bridge - Specification

**Service bridges** are made of anodized aluminum in color white RAL 9016 or natural anodized. General sockets, EDB sockets, and telephone sockets, etc. are easy to mount in the electrical duct which is prepared for dividing rails, earthing, and various standard installations fittings for mounting with threaded screws. An independent duct is built inside the bridge for space for installations for water, gases, and other desired media.

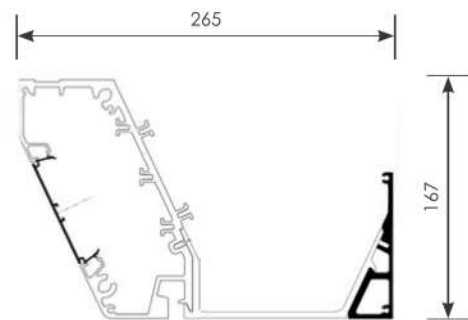
Taps can be mounted vertically under service bridges or in the legs located at both ends.

Service bridges are offered with and without work lighting in different versions:

- 1 LED strip with xxx lux on the work surface
- 2 LED strips with xxx lux on the work surface
- 3 LED strips with xxx lux on the work surface

They are offered with 3000 or 4000 Kelvin and with colored mood/orientation light. Light sources are protected behind a tightly opalized removable lid

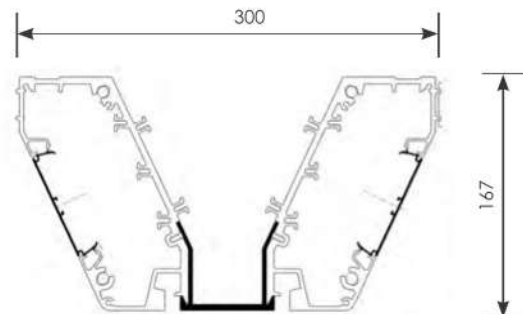
Wall model without light fixture



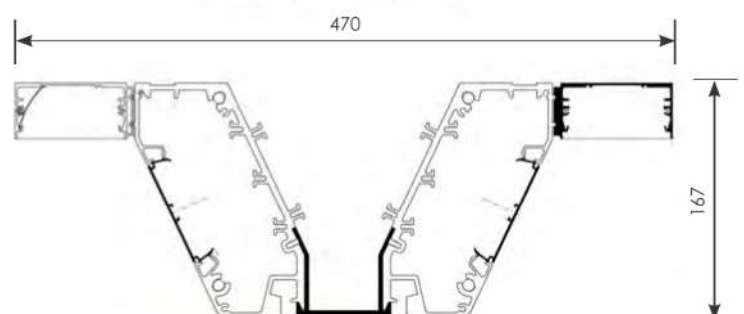
Wall model with light fixture



Freestanding model without light fixture

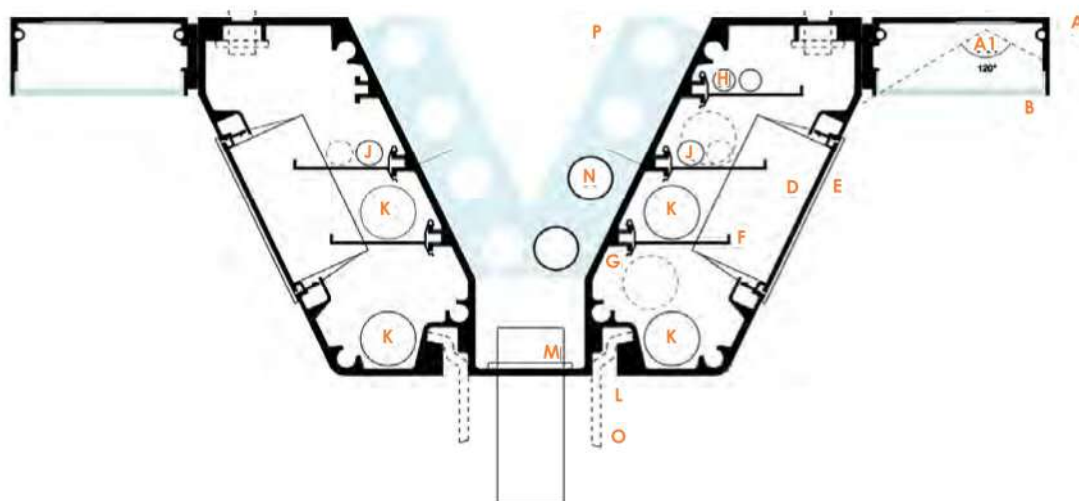


Freestanding model with light fixture

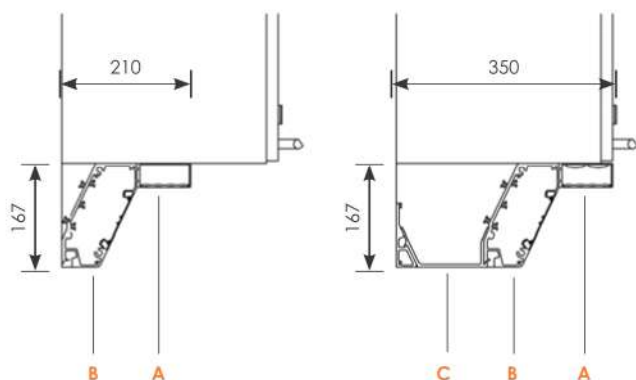


## Service bridge - Technical drawing

- A1 **Light** with 120 degrees spread
- B **Extruded opalized light shade**, dismantled without the use of tools
- C **Unistrut bearing profile** for possible suspension in the ceiling. (System with free-hanging service bridges)
- D **Electric cans**, as fab. LK type Clickline / European box/plug according to international standards.
- E **The front plate**, as fab. LK type Clickline
- F **Cable shelf**, as fab. Clipsal
- G **Mounting slot** for cable shelf with screw tracks for M4 bolt
- H **Low current cable**
- J **Power cable**
- K **PDS**, max 4 cables Ø25 pr. page
- L **Slots** for shelves, holders, PC screens, lamps, etc.
- M **Outlets** for plumbing and gas valves
- N **Plumbing** piping, water, and gases
- O **Gripping brackets** for shelves mm dotted
- P **Slots** for mounting of pipe holders and hose clips

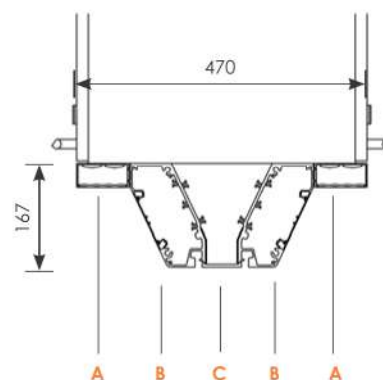


Wall Mounted



Freestanding

- A - Light
- B - Electricity
- C - Plumbing and Ventilation













**labmodul**  
Designing safety

Version: ★ ★ ★

LABMODUL A/S

Valhøjs alle 190  
DK-2610 Rødovre  
info@labmodul.dk