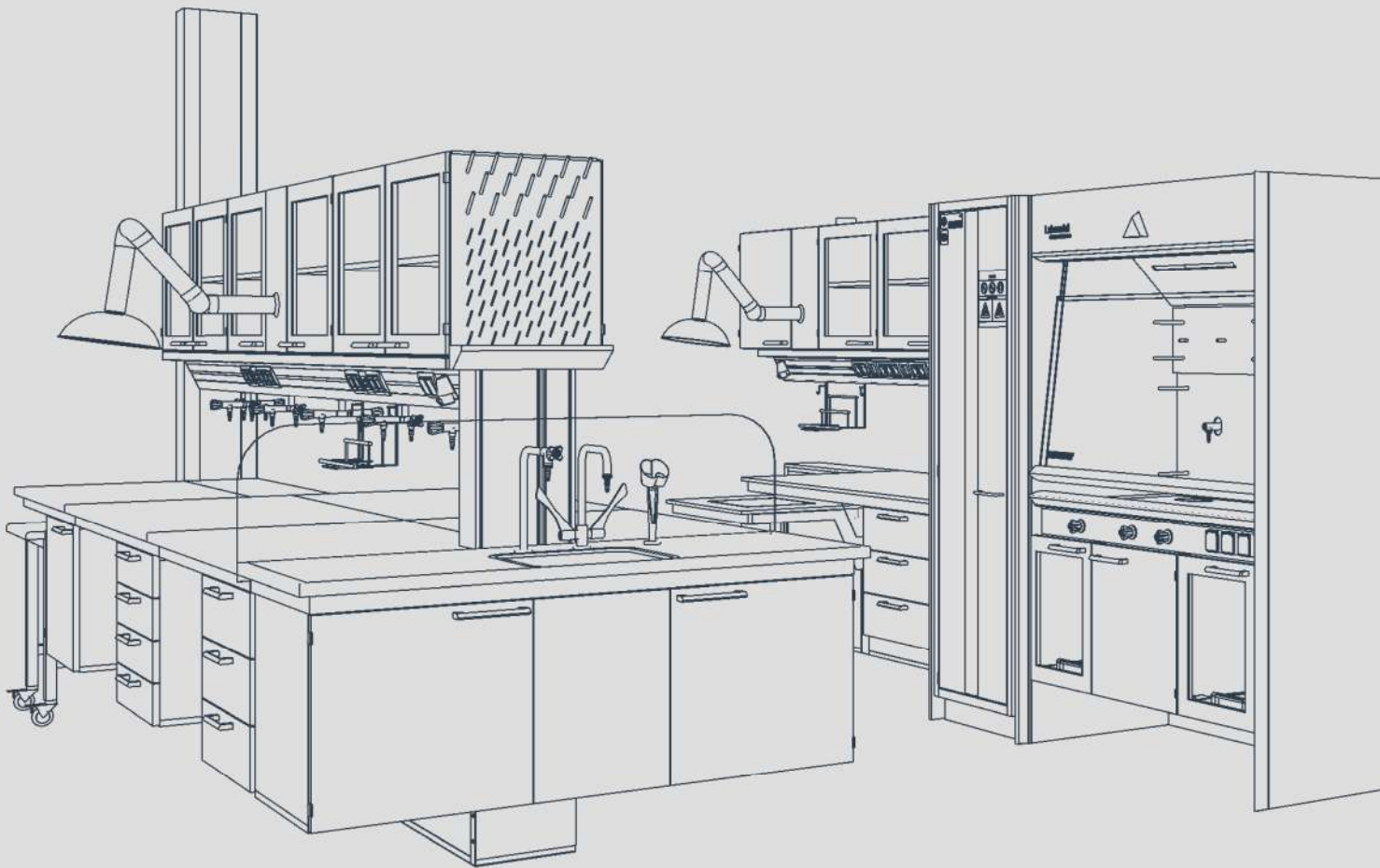


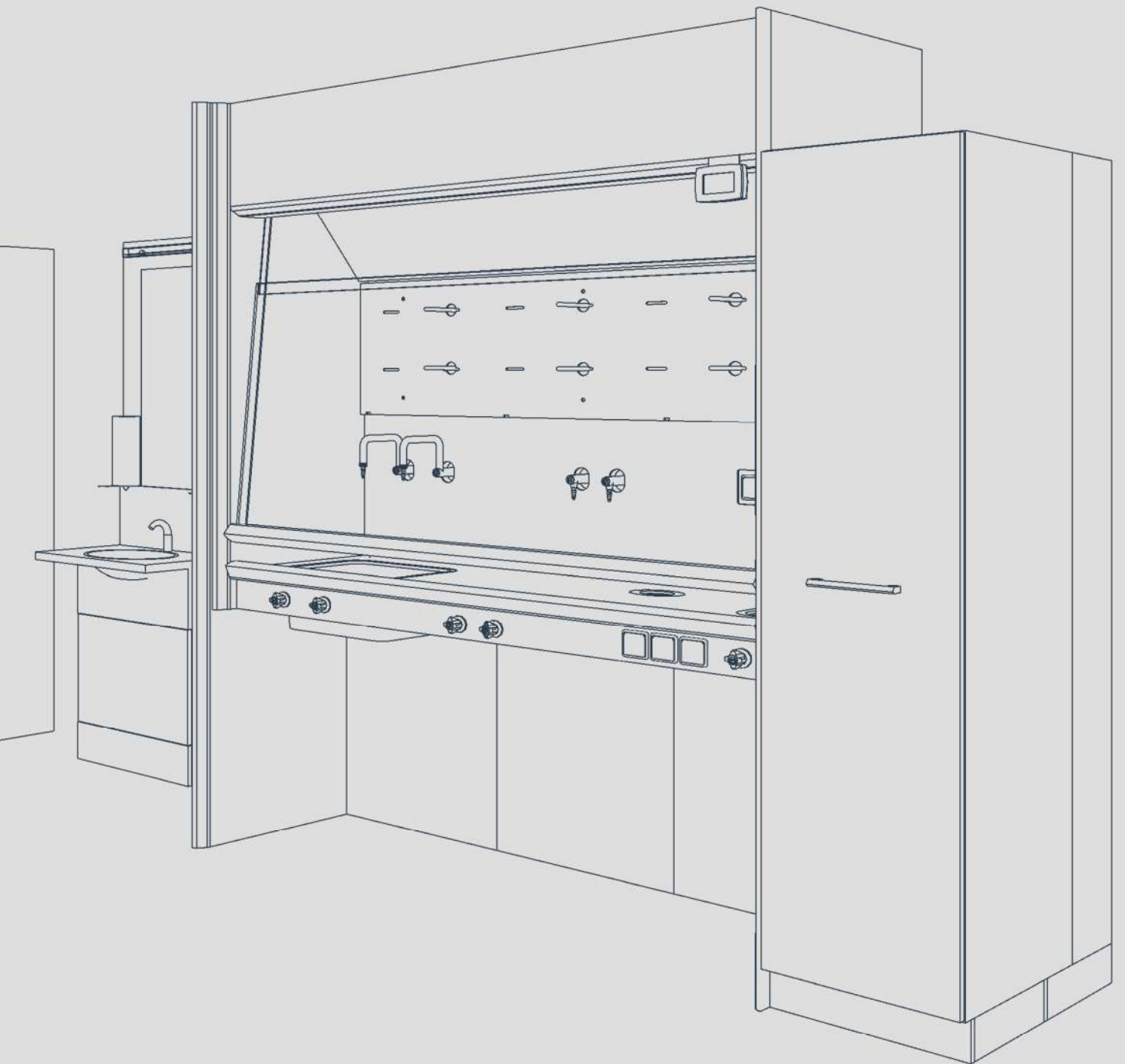
labmodul

Designing safety



Designing safety...









labmodul



CHEMICALS AND TOXIC CABINETS



LABMODUL CHEMICAL AND TOXIC CABINETS

┌ Safe handling of chemicals

┌ Personal safety

┌ Spacious storage

┌ Flexible devices



Chemical and toxic cabinet for storage

In the Chemical & Toxic Cabinet, space is optimally utilized with removable wire baskets, pullout trays, removable shelves, or our DIN FlexModul®, which can be used where particularly high flexibility and a logistics system are required for storage.

The interior design system DIN FlexModul® is the result of intensive development work to achieve maximum flexibility, systematic and safe storage with good clarity and order.

Our modular tray/basket system can be used wherever optimized space and tidiness are required, and the system can be moved between cabinets, industrial racks, and mobile transport units.

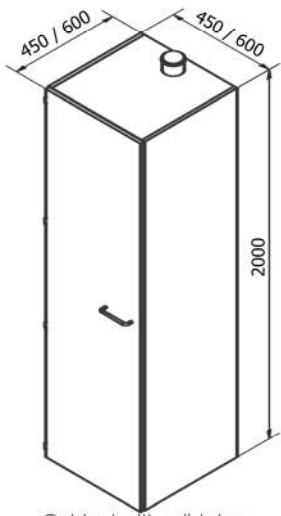
Cabinets are provided with standard locks or system locks that fit the desired locking plan.

The cabinets are designed to withstand intensive use.

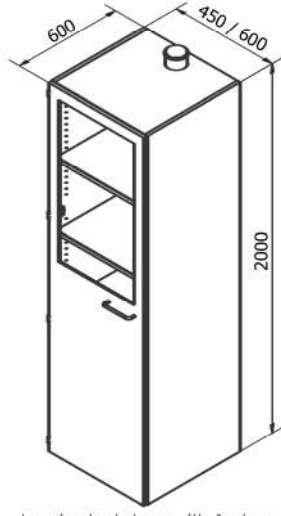




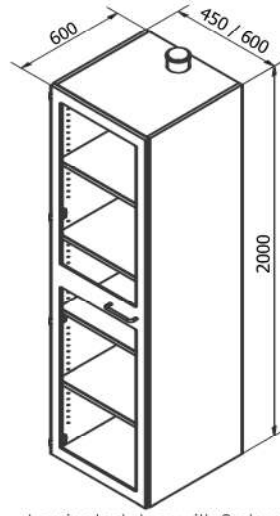
Chemical and Toxic cabinets



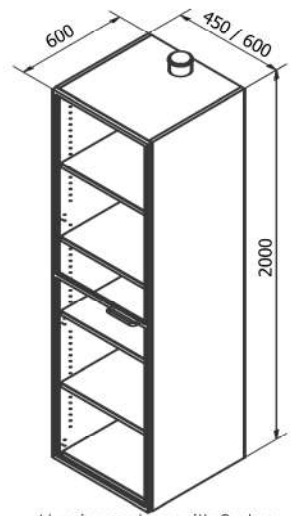
Cabinet with solid door



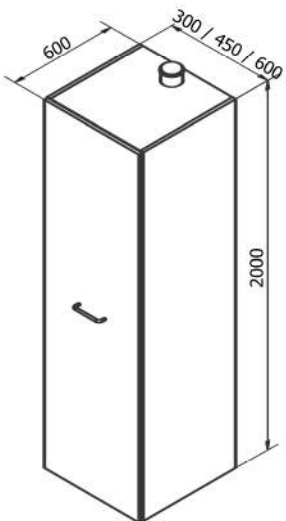
Laminated door with 1 glass



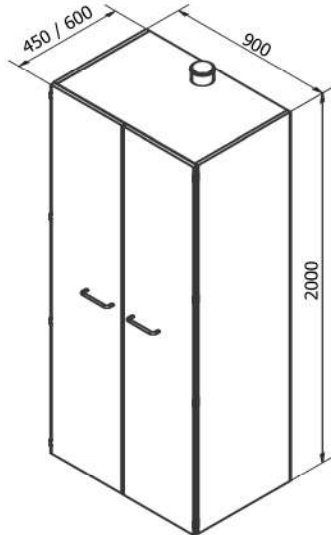
Laminated door with 2 glass



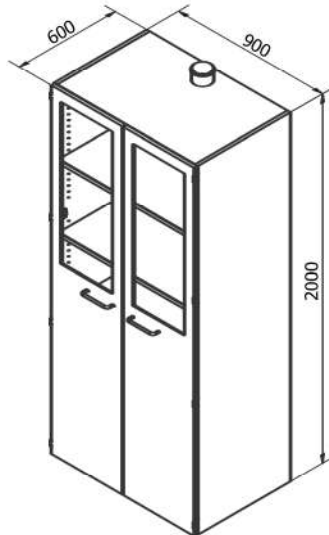
Aluminum door with 2 glass



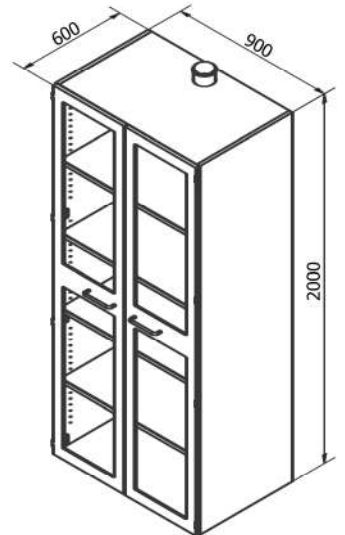
Front pull-out - Drawers / Baskets



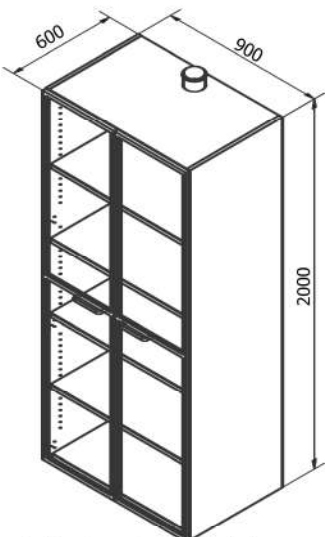
Cabinet with 2 solid door



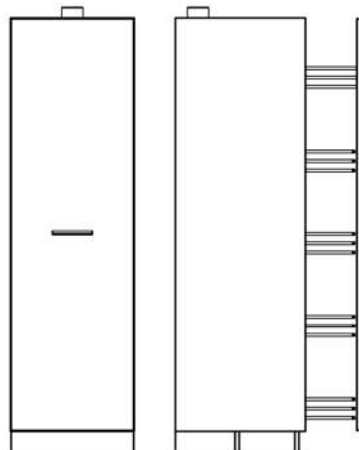
2 Laminated door with 2 glass



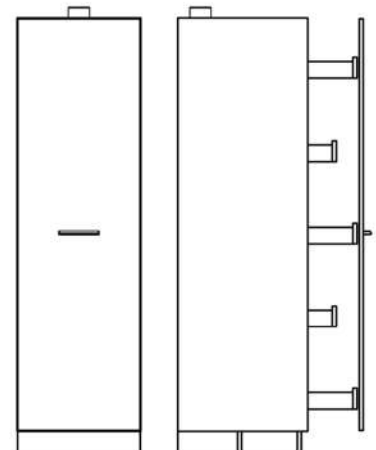
2 Laminated door with 4 glass



2 Aluminum door with 4 glass



Front pull-out cabinet with 5 baskets



Front pull-out cabinet with 5 drawers



Cabinet shelves



Trays and baskets



Wire basket

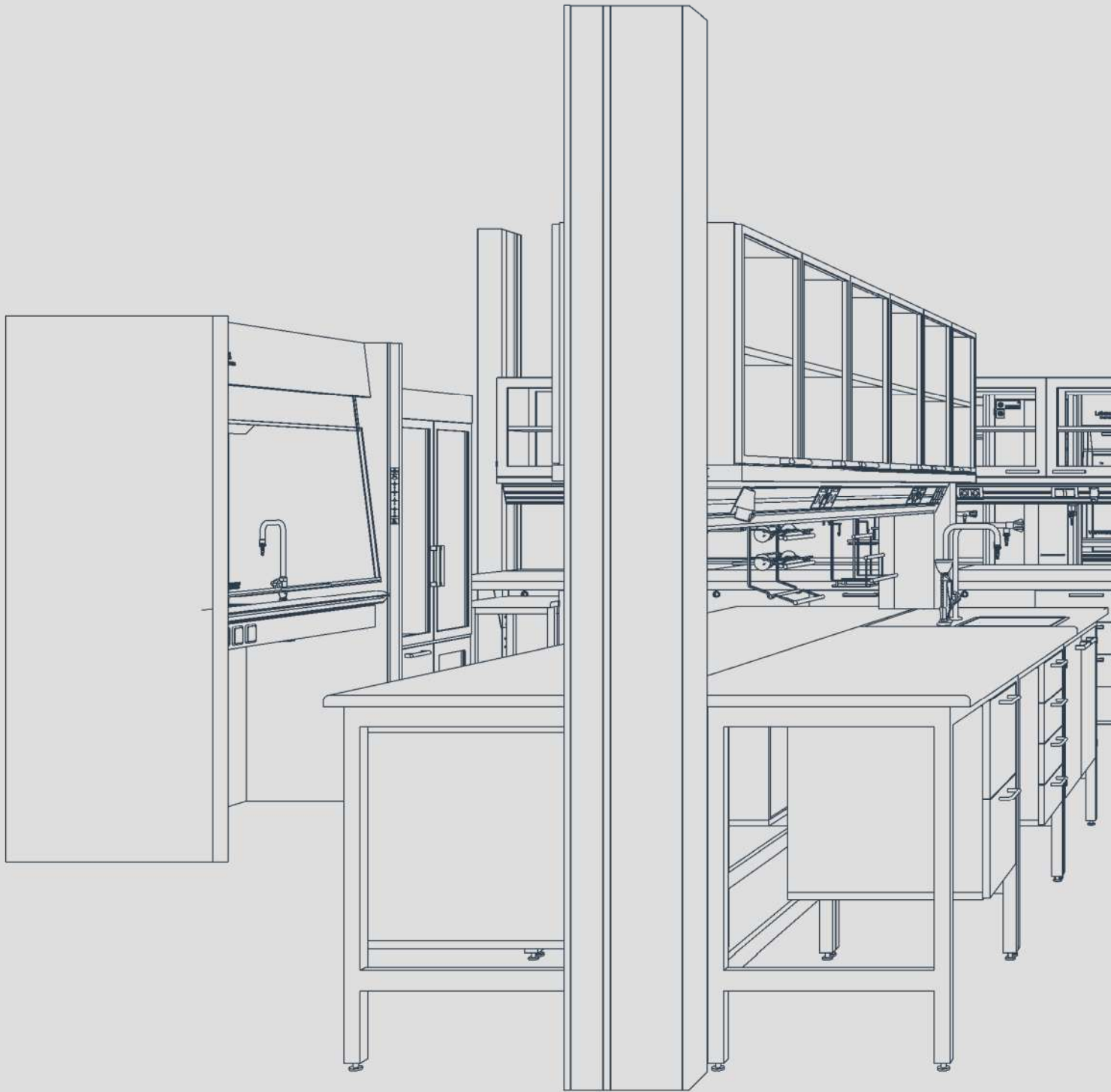


Pull-out drawers













labmodul
Designing safety

Version: ★ ★ ★

LABMODUL A/S

Valhøjs alle 190
DK-2610 Rødovre
info@labmodul.dk